

MEDIUM & HIGH PRESSURE FLUID APPLICATIONS

Airless & Multi Spray Guns



Airless & Multi Spray Units



FG-6 | FG-61 | FG-62



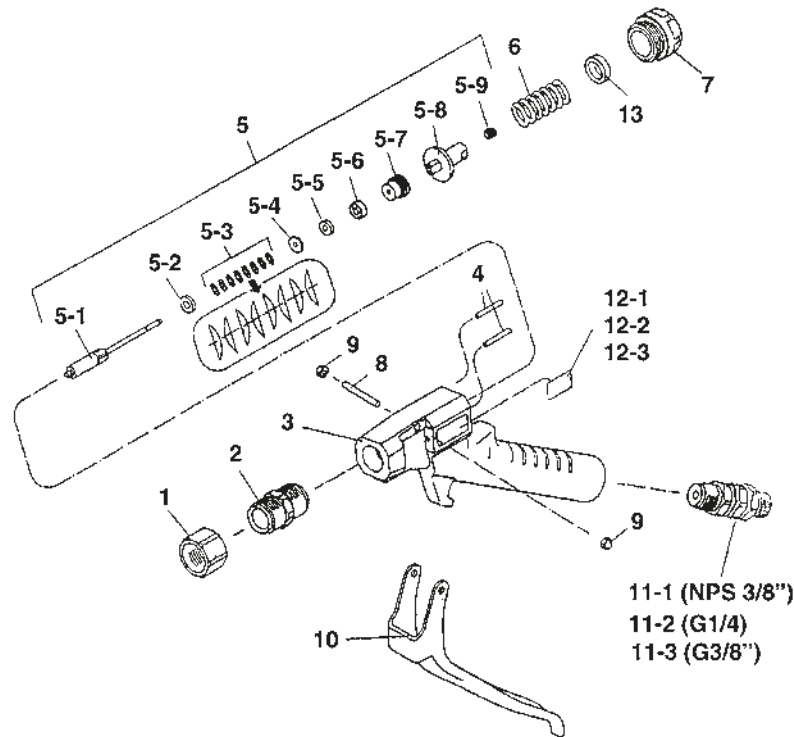
TECHNICAL			
	bar/psi	Ø mm	g
FG-6	250 / 3,625	3.0	440
FG-61			
FG-62			

FG-61 Air Nipple: G1/4" • FG-62 Fluid Nipple: G3/8"

ORDER Information - FG-6 | FG-61 | FG-62

NOZZLE TIP not INCLUDED

Code	Description	\$
7006B	FG-6 FLOW GUN (NPS 3/8")	461.00
7007B	FG-61 FLOW GUN (BSP 1/4")	461.00
7005B	FG-62 FLOW GUN (BSP 3/8")	461.00






SPARE PARTS

Ref.	Code	Description	\$
1	93546200	NOZZLE TIP HOLDER	23.00
2	93807200	NOZZLE GLAND SET	126.00
4	93574200	NEEDLE SEAT	11.00
5	93808200	FLUID NEEDLE SET	217.00
5-1	93809200	NEEDLE BAR SET	145.00
5-2	93504180	SPRING HOLDER	11.00
5-3	93844170	CONICAL SPRING WASHER	8 pcs./1 pk. 5.00
5-4	93067951	PACKING HOLDER	8.00
5-5, 5-6	93846170	NEEDLE PACKING SET	12.00
5-7	93505180	NEEDLE PACKING SEAT	14.00
5-8	93500190	NEEDLE SPRING HOLDER	36.00

Ref.	Code	Description	\$
5-9	96994603	SCREW	4.00
6	93501190	NEEDLE SPRING	15.00
7	93502190	NEEDLE SPRING SEAT	15.00
8	93505200	TRIGGER STUD	11.00
9	96994103	HEXAGON CAP NUT	2 pcs./1 pk. 3.00
10	93811200	TRIGGER SET	59.00
11-1	93810200	UNIVERSAL JOINT	NPS 3/8" 83.00
11-2	93813200	UNIVERSAL JOINT	G 1/4" 74.00
11-3	93814200	UNIVERSAL JOINT	G 3/8" 86.00
13	93638200	COLLAR (option)	11.00





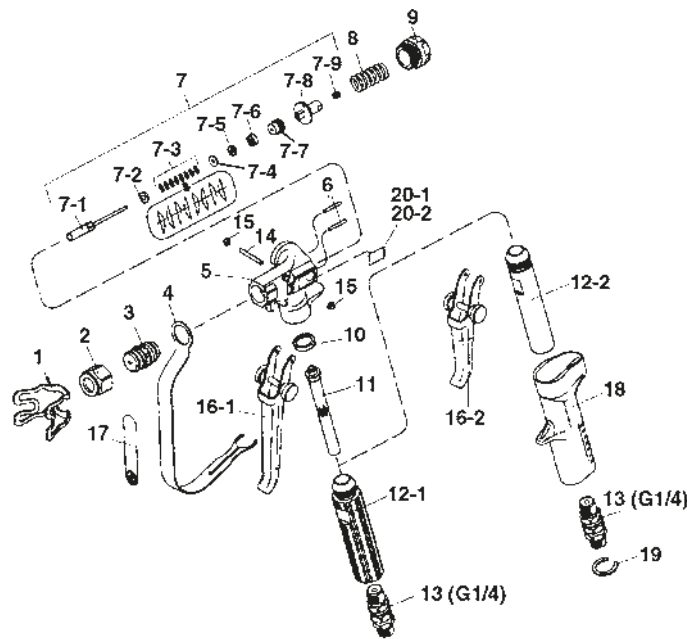
TECHNICAL	 bar/psi	 mesh	 g
ALG-7	250 / 3,600	100	440
ALG-72			415
ALG-73			450

Fluid Nipple: G1/4"

ORDER Information - ALG-7 | ALG-72 | ALG-73

NOZZLE TIP not INCLUDED

Code	Description		\$
7041	ALG-7 AIRLESS SPRAY GUN	Large Trigger	484.00
7003B	ALG-72 AIRLESS SPRAY GUN	Small Trigger	484.00
7043	ALG-73 AIRLESS SPRAY GUN	Large Trigger	608.00



SPARE PARTS

Ref.	Code	Description		\$
	03235590	TIP PACKING		6.00
1	93501170	HAND GUARD		23.00
2	93503170	NOZZLE GLAND	11/16"	35.00
3	93803170	NOZZLE GLAND SET UNIVERSAL	11/16"	161.00
4	93504170	SAFETY GUARD		34.00
6	93502180	NEEDLE SEAT		19.00
7	93807170	NEEDLE SET		97.00
7-1	93808170	NEEDLE BAR SET		35.00
7-2	93504180	SPRING HOLDER		11.00
7-3	93844170	CONICAL SPRING WASHER	8 pcs./1 pk.	5.00
7-4	93067951	PACKING HOLDER		8.00
7-5, 7-6	93906100	NEEDLE PACKING SET		6.00
7-7	93505180	NEEDLE PACKING SEAT		14.00
7-8	93500190	NEEDLE SPRING HOLDER		36.00
7-9	96994603	SCREW		4.00

Ref.	Code	Description		\$
8	93501190	NEEDLE SPRING		15.00
9	93502190	NEEDLE SPRING SEAT		15.00
10	93529180	PACKING		5.00
11	93841170	FILTER 100 Mesh	2 pcs./1 pk.	52.00
12-1	93503190	HANDLE	ALG-7, ALG-72	73.00
12-2	93511180	HANDLE	ALG-72	70.00
12-3	93510190	HANDLE	ALG-73	109.00
13	93003951	UNIVERSAL JOINT	G 1/4"	106.00
14	93504190	TRIGGER S TUD		15.00
15	96994103	HEX. CAP NUT		3.00
16-1	93805180	TRIGGER SET (LARGE)	ALG-7, ALG-73	61.00
16-2	93806180	TRIGGER SET (SMALL)	ALG-72	67.00
18	93507190	OUTER HANDLE		74.00
19	93525170	STOPPER	ALG-72	6.00



MSGGS-200 120S / 120L / 250S / 250L

MSGGS-200

MULTI SPRAY SERIES



MSGGS-200
120S



MSGGS-200
120L



MSGGS-200
250S



MSGGS-200
250L

FEATURES

- MSGGS-200 combines the advantages of airless technology (speed, low overspray) with the advantages of conventional technology (excellent finishing) resulting in a product with high transfer efficiency and excellent finish quality
- Superior Design. Based on the breakthrough design of the SUPERNOVA, the MSGGS-200 combines perfect balance and optimal ergonomics
- Chrome plated gun body is easy to clean and maintain
- New air cap configuration creates increased pattern width control
- Quick and easy cap rotation. Plastic protection and PTFE packing make cap adjustment a simple and precise operation
- Soft trigger reduces fatigue

TECHNICAL

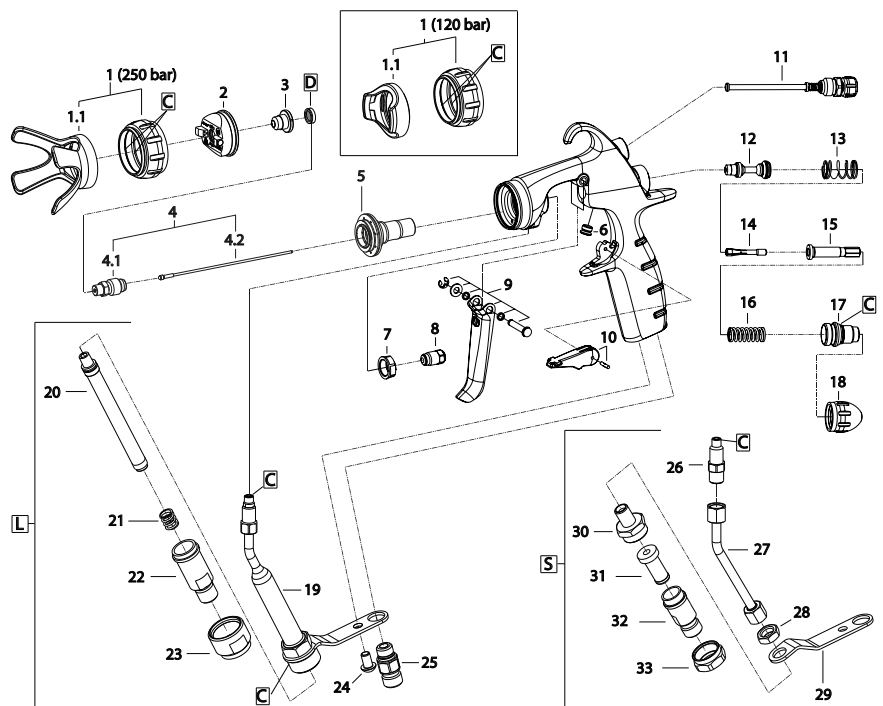
	bar/psi	bar/psi	mesh	g
MSGGS-200 120S - Short Filter	1740	7/101.5	100	584
MSGGS-200 120L - Long Filter			Not Included	537
MSGGS-200 250S - Short Filter	3626	7/101.5	100	587
MSGGS-200 250L - Long Filter			Not Included	545

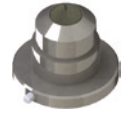
Air Nipple: G1/4" • Fluid Nipple: G1/4"

ORDER Information - MSGGS-200 SERIES

NOZZLE TIP not INCLUDED

Code	Description	\$
7506S	MSGGS-200 120S MULTI SPRAY GUN with Short Filter	697.76
7506L	MSGGS-200 120L MULTI SPRAY GUN with Long Filter	708.96
7507S	MSGGS-200 250S MULTI SPRAY GUN with Short Filter	724.64
7507L	MSGGS-200 250L MULTI SPRAY GUN with Long Filter	739.20



MSGS-200 120S / 120L / 250S / 250L
MSGS-200 - FLUID TIPS RANGE (Ref.3)


∠°	10°	20°	30°	40°	50°	60°	70°	80°	90°
Ø inch	Code	Code	Code	Code	Code	Code	Code	Code	Code
0.007	MST-0710	MST-0720	MST-0730	MST-0740					
0.009	MST-0910	MST-0920	MST-0930	MST-0940	MST-0950				
0.011	MST-1110	MST-1120	MST-1130	MST-1140	MST-1150	MST-1160	MST-1170		
0.013	MST-1310	MST-1320	MST-1330	MST-1340	MST-1350	MST-1360	MST-1370	MST-1380	
0.015	MST-1510	MST-1520	MST-1530	MST-1540	MST-1550	MST-1560	MST-1570	MST-1580	
0.016	MST-1610	MST-1620	MST-1630	MST-1640	MST-1650	MST-1660	MST-1670	MST-1680	MST-1690
0.018		MST-1820	MST-1830	MST-1840	MST-1850	MST-1860	MST-1870	MST-1880	MST-1890
0.020			MST-2030	MST-2040	MST-2050	MST-2060	MST-2070	MST-2080	MST-2090
0.022		MST-2220	MST-2230	MST-2240	MST-2250	MST-2260	MST-2270	MST-2280	MST-2290
0.024			MST-2430	MST-2440	MST-2450	MST-2460	MST-2470	MST-2480	MST-2490
0.027				MST-2740	MST-2750	MST-2760	MST-2770	MST-2780	MST-2790
0.029				MST-2940	MST-2950	MST-2960	MST-2970	MST-2980	MST-2990
0.031				MST-3140	MST-3150	MST-3160	MST-3170	MST-3180	MST-3190
0.033						MST-3360			
0.035				MST-3540	MST-3550	MST-3560	MST-3570	MST-3580	MST-3590
0.039					MST-3950	MST-3960			
0.041						MST-4160	MST-4170	MST-4180	MST-4190

SPARE PARTS

Ref.	Code	Description		\$
1	93004420	AIR CAP COVER	250L / 250S	23.89
1.1	93004430	AIR CAP PROTECTION	250L / 250S	8.23
1	93004490	AIR CAP COVER	120L / 120S	23.65
1.1	93004500	AIR CAP PROTECTION	120L / 120S	8.17
2	93004320	AIR CAP		83.84
3		FLUID TIP		99.00
4	93004160	NOZZLE NEEDLE + FLUID NEED SET		121.11
4.1	93004170	FLUID NOZZLE		32.67
4.2	93004450	FLUID NEEDLE		66.60
5	93004230	NOZZLE HOLDER		61.10
6	93004310	PLUG		8.29
7	93004300	NUT		10.28
8	93004410	NEEDLE PACKING SET		54.87
9	93004200	TRIGGER SET		26.07
10	93004190	SAFETY LOCK SET		11.37
11	93004290	PATTERN ADJUSTMENT		27.71
12	93004260	AIR VALVE		43.07
13	93004330	AIR VALVE SPRING		7.14
14	93004240	COLLET		23.11
15	93004250	NEEDLE BUSHING		22.98
16	93004270	NEEDLE SPRING	250L / 250S	7.26
16	93004150	NEEDLE SPRING	120L / 120S	7.26
17	93004280	NEEDLE GUIDE		14.52
18	93004400	PLUG		14.09

Ref.	Code	Description		\$
19	93004390	FILTER CASE	120L / 250L	172.38
20	VFM2002	FILTER 50 MESH (optional)	120L / 250L	1.56
20	VFM2004	FILTER 100 MESH (optional)	120L / 250L	1.56
20	VFM2005	FILTER 150 MESH (optional)	120L / 250L	1.56
20	VFM2006	FILTER 200 MESH (optional)	120L / 250L	1.56
21	93004380	FILTER SPRING	120L / 250L	9.01
22	93004360	FILTER JOINT	120L / 250L	44.15
23	93004370	FILTER NUT	120L / 250L	18.16
24	93004350	SCREW		6.53
25	93004340	AIR NIPPLE		11.13
26	93004530	FLUID JOINT	120S / 250S	14.09
27	93004130	FLUID TUBE	120S / 250S	98.73
28	93514240	NUT	120S / 250S	10.09
29	93004140	PLATE	120S / 250S	17.85
30	93514230	FILTER CASE	120S / 250S	68.00
31	VFM2801/S	FILTER 60 MESH	120S / 250S	15.58
31	VFM2802/S	FILTER 100 MESH	120S / 250S	16.00
31	VFM2803/S	FILTER 200 MESH	120S / 250S	16.14
32	93515230	FILTER JOINT	120S / 250S	76.00
33	93516230	FILTER NUT	120S / 250S	37.00
C	93004210	PACKING SET		21.96
D	93004850	TIP FILTER SET		15.12
D	93004860	TIP PACKING SET		14.59
Opt.	03004520	SWIVEL JOINT		51.52

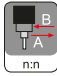


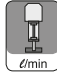



ALS-333 C | ALS-423 TX | ALS-433 C | ALS-433 TX

FEATURES

- For solvent and water-based paints
- All versions mounted on cart with:
 - Air regulator
 - Paint filter unit
 - Dip tube with filter
 - Fluid recirculation hose
 - Overpressure valve
 - Antipulsation hose (optional)

TECHNICAL

					
	n:n	bar/psi	bar/psi	l/min	mesh
ALS-333 C	25:1	170/2,456	6.8/98	2.5 (90 cyc)	50
ALS-423 TX	23:1	156/2,262		8.0 (100 cyc)	30
ALS-433 C	30:1	204/2,958		5.0 (90 cyc)	50
ALS-433 TX	30:1			5.0 (90 cyc)	30

Air Nipple: G1/4" • Fluid Nipple: G1/4"

ALS-333 C

Pump - PP1251C

ALS-423 TX

Pump - PP4231NE

ALS-433 C | ALS-433 TX

Pump - PP4301C

Pump - PP4301CNE



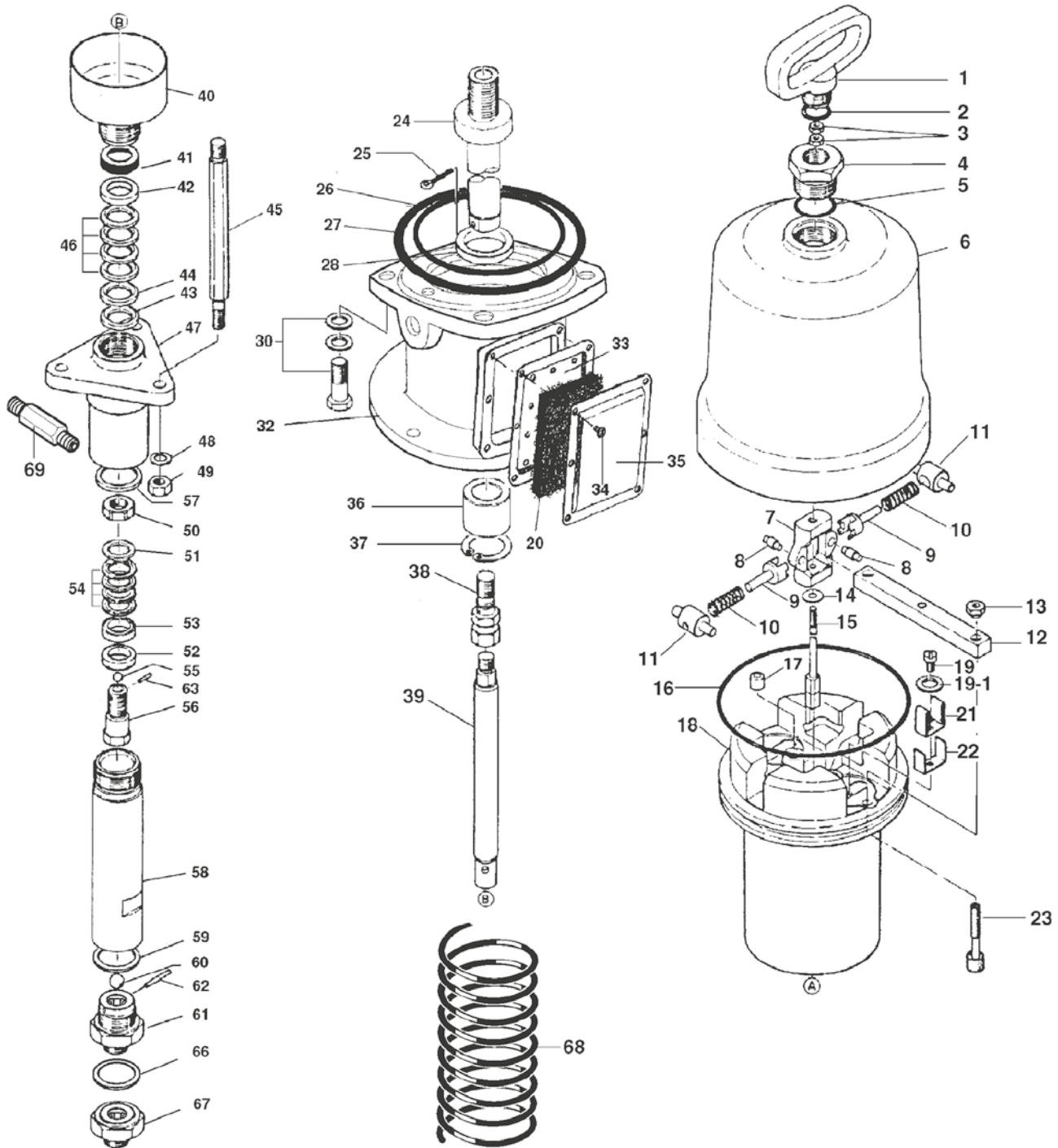
ORDER Information - AIRLESS UNITS

Code	Description	\$
7510B	ALS-333 C AIRLESS UNIT	4,566.00
7516	ALS-423 TX AIRLESS UNIT with STAINLESS STEEL PAINT PASSAGES	4,965.00
1405834800	ALS-433 C AIRLESS UNIT with STAINLESS STEEL PAINT PASSAGES	3,642.00
1A301W083100	ALS-433 TX AIRLESS UNIT (WATER BASED VERSION)	4,999.00

ACCESSORIES

Code	Description	for Version	\$
8132	TF 8 COMPLETE FILTER SET	for ALS 333 C - ALS 433 C	378.00
1457000000	TF 8N COMPLETE FILTER SET	for ALS 423 TX - ALS 433 TX	647.46
0200309101	AIR REGULATOR SET	for ALS 333 C	193.00
0200309401	AIR REGULATOR SET	for ALS 423 TX - ALS 433 C - ALS 433 TX	193.00
0101009000	DIP TUBE SET (50 mesh filter)	for ALS 333 C - ALS 433 C	147.00
0101030000	DIP TUBE SET with STAINLESS STEEL CONNECTION (30 mesh filter)	for ALS 423 TX - ALS 433 TX	475.00





ALS-333 C | ALS-423 TX | ALS-433 C | ALS-433 TX

Ref.	Code	Description	ALS-333 C	ALS-423 TX	ALS-433 C	ALS-433 TX	\$
1	04470100	HANDLE	X	X	X	X	35.00
2	94447100	PACKING	X	X	X	X	6.00
3	UL300702	HEXAGON NUT	X	X	X	X	2.00
4	04435100	HEAD BOLT	X				24.00
4	04435150	HEAD BOLT		X	X	X	21.00
5	06630030	O RING	X	X	X	X	2.00
6	0440110000	AIR CYLINDER	X				177.00
6	0440115000	AIR CYLINDER		X	X	X	221.00
7	04409100	CHANGEOVER MAIN BODY	X				163.00
7	04409150	CHANGEOVER MAIN BODY		X	X	X	67.00
8	04420100	PIN	X				11.00
8	04420150	PIN		X	X	X	12.00
9	04411100	CHANGEOVER PIN	X				39.00
9	04411150	CHANGEOVER PIN		X	X	X	39.00
10	04412100	SPRING	X				5.00
10	04412150	SPRING		X	X	X	5.00
11	04419100	SPRING HOLDER	X				23.00
11	04419150	SPRING HOLDER		X	X	X	27.00
12	04407100	CHANGEOVER BAR	X				62.00
12	04407150	CHANGEOVER BAR		X	X	X	46.00
13	04415100	NUT	X				5.00
13	04415150	NUT		X	X	X	5.00
14	04444110	WASHER	X	X	X	X	3.00
15	04410100	CHANGEOVER ROD	X				35.00
15	04410150	CHANGEOVER ROD		X	X	X	15.00
16	06638043	PISTON O-RING	X				2.00
16	06630145	PISTON O-RING		X	X	X	2.00
17	94935680	EXHAUST PACKING SET	2 pcs./1pk.	X	X	X	10.00
18	0440310000	AIR PISTON	X				283.00
18	0440315000	AIR PISTON		X	X	X	443.00
19	UL300606	SCREW	X	X	X	X	2.00
19-1	UL300820	SPRING WASHER	X	X	X	X	4.00
20	UM331028	MUFFLER FILTER	X	X	X	X	2.00
21	04408100	CHANGEOVER BAR SUPPORT	X				15.00
21	04408150	CHANGEOVER BAR SUPPORT		X	X	X	15.00
22	04413100	REINFORCE PLATE	X				9.00
22	04413150	REINFORCE PLATE		X	X	X	9.00
23	04934690	VALVE SHAFT KIT	2 pcs./1pk.	X			73.00
23	04936570	VALVE SHAFT KIT	2 pcs./1pk.		X	X	83.00
24	04479100	PISTON ROD	X				106.00
24	04479150	PISTON ROD		X	X	X	131.00
25	UM330155	SPLIT PIN	X	X	X	X	2.00
26	96638039	O RING	X				12.00
26	96630112	O RING		X	X	X	3.00
27	96634120	O RING	X				9.00
27	96637537	O RING		X	X	X	11.00
28	04459100	STOPPER	X	X	X	X	4.00
30	06137130	BOLT + WASHER	X				2.00
30	06137830	BOLT + WASHER		X	X	X	2.00
32	UM33102102	MAIN BODY	X				212.00
32	UM43102102	MAIN BODY		X	X	X	230.00
33	UM331027	MUFFLER PLATE	X	X	X	X	15.00
34	UL300620	SCREW	X	X	X	X	2.00
35	UM331026	EXHAUST COVER	X	X	X	X	14.00
36	04431100	BUSHING	X				68.00
36	04431150	BUSHING		X	X	X	68.00
37	UL300804	STOPPER	X				4.00
37	UM431060	STOPPER		X	X	X	2.00
38	04485100	CONNECTING ADAPTOR	X				13.00
38	04485150	CONNECTING ADAPTOR		X	X	X	13.00
39	04430100	ROD	X				269.00
39	0231001000	ROD		X			404.00
39	04430150	ROD			X		286.00
39	04002790	ROD				X	407.00
39	0443021000	ROD					153.00
40	0448210003	THINNER CUP SET	X				99.00
40	0231002001	THINNER CUP SET		X			117.00
40	0448215002	THINNER CUP SET			X		107.00
40	0171003001	THINNER CUP SET				X	114.00
40	0448220001	THINNER CUP SET					71.00
41	04471100	SLEEVE	X				33.00
41	04010700	SLEEVE		X			4.00
41	04471150	SLEEVE			X		30.00
41	0171009000	SLEEVE				X	6.00
41	0447120000	SLEEVE					22.00
42	94441100	V PACKING FEMALE UPPER ADAPTOR	X				19.00
42	0231003000	V PACKING FEMALE UPPER ADAPTOR		X			29.00
42	94441150	V PACKING FEMALE UPPER ADAPTOR			X		20.00
42	04004790	V PACKING FEMALE UPPER ADAPTOR				X	29.00
42	0444120000	V PACKING FEMALE UPPER ADAPTOR					22.00
43	04401110	SPACER	X				13.00
43	0231025000	SPACER		X			13.00
43	04401160	SPACER			X	X	13.00



ALS-333 C | ALS-423 TX | ALS-433 C | ALS-433 TX

Ref.	Code	Description		ALS-333 C	ALS-423 TX	ALS-433 C	ALS-433 TX	\$
43	04001160	SPACER						13.00
44	04443100	V PACKING MALE UPPER ADAPTOR		X				25.00
44	0231005000	V PACKING MALE UPPER ADAPTOR			X			24.00
44	04443150	V PACKING MALE UPPER ADAPTOR				X		23.00
44	04000800	V PACKING MALE UPPER ADAPTOR					X	27.00
44	0444320000	V PACKING MALE UPPER ADAPTOR						21.00
45	0443011000	CONNECTING ROD		X				24.00
45	0231022001	CONNECTING ROD			X		X	27.00
45	0443016000	CONNECTING ROD				X		24.00
46	0493210000	UPPER V PACKING SET	4 pcs./1pk.	X				23.00
46	0494231100	UPPER V PACKING SET	4 pcs./1pk.		X			32.00
46	0494015000	UPPER V PACKING SET	4 pcs./1pk.			X	X	41.00
46	0494020000	UPPER V PACKING SET	4 pcs./1pk.					37.00
47	0448310100	SUCTION MAIN BODY		X				98.00
47	0231008001	SUCTION MAIN BODY			X		X	150.00
47	0448315100	SUCTION MAIN BODY				X		106.00
47	0448320200	SUCTION MAIN BODY						142.00
48	UL300802	SPRING WASHER		X	X	X	X	2.00
49	UL300703	HEXAGON NUT		X	X	X	X	2.00
50	94445110	NUT		X				41.00
50	0231020000	NUT			X			14.00
50	94414150	NUT				X		55.00
50	04000790	NUT					X	62.00
50	0444520000	NUT						21.00
51	04443110	V PACKING MALE LOWER ADAPTOR		X				10.00
51	0231019000	V PACKING MALE LOWER ADAPTOR			X			22.00
51	94443161	V PACKING MALE LOWER ADAPTOR				X		21.00
51	04001800	V PACKING MALE LOWER ADAPTOR					X	24.00
51	0444321100	V PACKING MALE LOWER ADAPTOR						21.00
52	04402110	LOWER DISTANCE RING		X				13.00
52	0231010000	LOWER DISTANCE RING			X			10.00
52	04400160	LOWER DISTANCE RING				X		13.00
52	0400016000	LOWER DISTANCE RING					X	14.00
53	04441110	V PACKING FEMALE LOWER ADAPTOR		X				20.00
53	0231017000	V PACKING FEMALE LOWER ADAPTOR			X			19.00
53	04441160	V PACKING FEMALE LOWER ADAPTOR				X		18.00
53	04005790	V PACKING FEMALE LOWER ADAPTOR					X	24.00
53	0444121100	V PACKING FEMALE LOWER ADAPTOR						22.00
54	0493010000	LOWER V PACKING SET	4 pcs./1pk.	X				19.00
54	0494231200	LOWER V PACKING SET	4 pcs./1pk.		X			32.00
54	0494215000	LOWER V PACKING SET	4 pcs./1pk.			X	X	30.00
54	0494220000	LOWER V PACKING SET	4 pcs./1pk.					37.00
55	96662025	BALL		X		X		6.00
55	06662040	BALL			X			10.00
55	06662026	BALL					X	6.00
56	04461100	VALVE HOLDER SET		X				258.00
56	0231029001	VALVE HOLDER SET			X			219.00
56	04460160	VALVE HOLDER SET				X		272.00
56	0446017100	VALVE HOLDER SET					X	219.00
56	0446120000	VALVE HOLDER SET						90.00
57	94447600	UPPER PACKING		X				11.00
57	0231007000	UPPER PACKING			X			9.00
57	94447150	UPPER PACKING				X		11.00
57	0231015000	UPPER PACKING					X	13.00
57	0444720000	UPPER PACKING						4.00
58	0443410001	SUCTION TUBE		X				342.00
58	0231024000	SUCTION TUBE			X			418.00
58	0443415001	SUCTION TUBE				X		296.00
58	0171001000	SUCTION TUBE					X	536.00
58	0443420000	SUCTION TUBE						381.00
59	94447610	LOWER PACKING		X				11.00
59	0231030000	LOWER PACKING			X		X	13.00
59	94447160	LOWER PACKING				X		11.00
60	96662050	BALL		X		X		11.00
60	06662051	BALL			X		X	14.00
60	06662040	BALL						4.00
61	04407060	VALVE ADAPTOR SET		X				109.00
61	0231028000	VALVE ADAPTOR SET			X		X	348.00
61	04460150	VALVE ADAPTOR SET				X		109.00
61	0446020000	VALVE ADAPTOR SET						111.00
62	04420600	PIN		X				2.00
62	0231023000	PIN			X		X	8.00
62	04420160	PIN				X		4.00
63	04420170	PIN				X	X	4.00
63	0657502000	PIN						2.00
64	0231009000	SCREW			X			2.00
65	0231014000	SPRING			X			2.00
66	0231031000	PACKING			X		X	4.00
67	UL30046400	NIPPLE			X		X	45.00
68	04413050	SPRING		X	X	X	X	15.00
69	UM43061000	FLUID OUTPUT JOINT			X			29.00
69	UM43060900	FLUID OUTPUT JOINT					X	29.00
72	UM43061101	FLUID OUTPUT JOINT		X		X		23.00

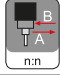


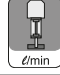



MSU 11N | MSU 32N

FEATURES

- Equipped with:
Air regulator
Paint filter unit
Dip tube with filter
Fluid recirculation hose
Overpressure valve

TECHNICAL

	 n:n	 bar/psi	 bar/psi	 l/min	 mesh
MSU 11N	13:1	88/1,276	6.8/98	1.9 (110 cyc)	50
MSU 32N	17:1	114/1,666	6.8/98	3.5	50

Air Nipple: Rc 1/2" • Fluid Nipple: G1/4"

MSU 11N



MSU 323N-SYS



ORDER Information - MSU 11N 13:1 MULTI SPRAY UNIT

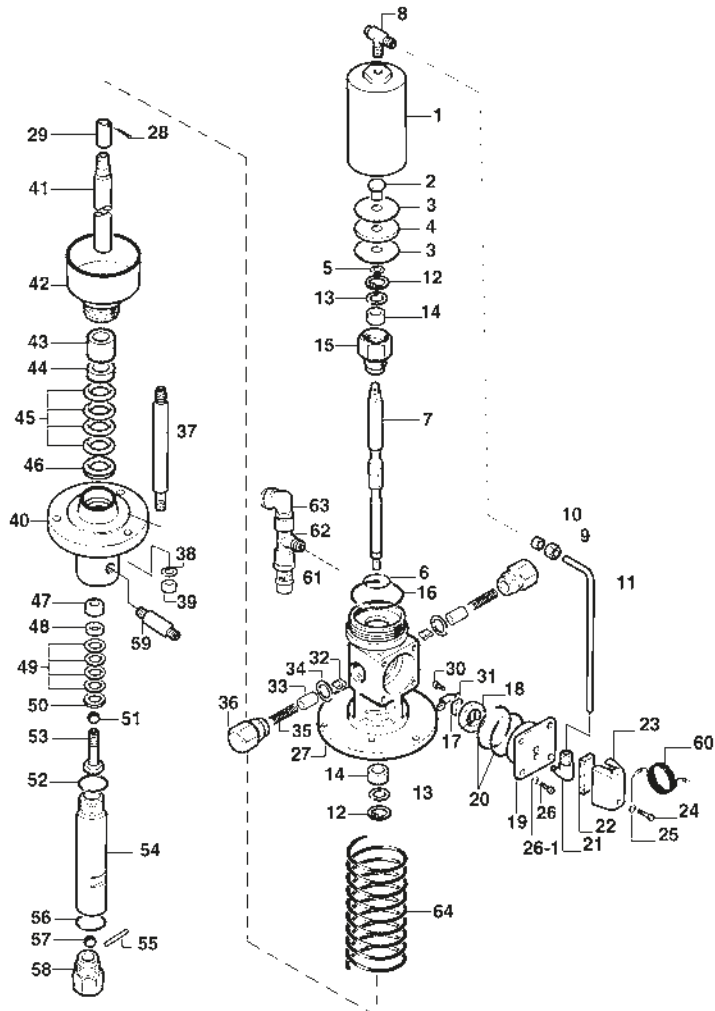
Code	Description	Order Ref.	Type	\$
7161	MSU Multi Spray Unit	111N	Stand Mount	2,081.00
7163	MSU Multi Spray Unit	113N	Cart Mount	2,104.00
7164	MSU Multi Spray Unit	114N	Wall Mount	1,979.00
7166	MSU Multi Spray System	111N-SYS	Stand Mount with Gun and Hoses	2,947.00
7168	MSU Multi Spray System	113N-SYS	Cart Mount with Gun and Hoses	2,970.00
7169	MSU114N-SYS Multi Spray System		Wall Mount with Gun and Hoses	2,846.00

ORDER Information - MSU 32N 17:1 MULTI SPRAY UNITS (Parts P. 88-89)

Code	Description	Order Ref.	Type	\$
7173	MSU Multi Spray Unit	323N	Cart Mount	3,071.00
7178	MSU Multi Spray System	323N-SYS	Cart Mount with Gun and Hoses	3,937.00
7174	MSU Multi Spray Unit	324N	Wall Mount	2,936.00
7179	MSU Multi Spray System	324N-SYS	Wall Mount with Gun and Hoses	3,801.00



Ref.	Code	Description	MSU 11N	\$
1	04401051	AIR CYLINDER	x	53.00
2	04437050	CAP NUT	x	8.00
3	04444050	WASHER	x	20.00
4	09447080	PACKING	x	11.00
5	UL300800	WASHER	x	2.00
6	96630022	O-RING	x	4.00
7	94492050	SPINDLE SET	x	578.00
8	04438081	SPECIAL JOINT	x	7.00
9	06805480	JOINT NUT	x	3.00
10	06806480	SLEEVE	x	2.00
11	04486052	HOSE	x	2.00
12	06613240	STOPPER	x	6.00
13	04444090	WASHER	x	6.00
14	04449080	PACKING	x	11.00
15	04459051	STOPPER	x	23.00
16	96634060	O-RING	x	6.00
17	94488051	BLOCK	x	21.00
18	04406051	GUIDE PLATE	x	2.00
19	04405060	SEAT BLOCK	x	273.00
20	96634045	O- RING	x	5.00
21	06800481	ELBOW UNION	x	16.00
22	94402050	EXHAUST MUFFLER	x	4.00
23	04405051	EXHAUST COVER	x	7.00
24	06154073	SCREW	x	2.00
25	96500406	SPRING WASHER	x	3.00
26	06136614	BOLT	x	2.00
26-1	UL300820	SPRING WASHER	x	4.00
27	04943051	MAIN BODY SET	x	275.00
28	UL300811	SPLIT PIN	x	2.00
29	04400080	ADAPTOR	x	15.00
30	06131308	SCREW	x	2.00
31	94488061	BLOCK CARRIER	x	9.00
32	04457062	INTERLOCK PIECE	x	6.50
33	04457090	INTERLOCK END PIECE	x	15.50
34	04428050	WASHER	x	8.50
35	94412060	SPRING	x	8.00
36	04458070	CAP	x	42.00
37	0171002010	CONNECTING ROD	x	31.50
38	UL300802	SPRING WASHER	x	2.00
39	UL300703	HEXAGON NUT	x	2.00
40	0448310100	SUCTION MAIN BODY	x	98.00
41	94403080	ROD	x	384.00
42	04404080	THINNER CUP SET	x	53.00
43	94022090	SLEEVE	x	5.00
44	94404090	V PACKING FEMALE UPPER ADAPTOR	x	39.00
45	94932100	UPPER V PACKING SET	x	51.00
46	94405090	V PACKING MALE UPPER ADAPTOR	x	55.00
47	04407050	NUT	x	8.00
48	94408050	V PACKING MALE LOWER ADAPTOR	x	51.00
49	94930100	LOWER V PACKING SET	x	51.00
50	94410050	V PACKING FEMALE LOWER ADAPTOR	x	51.00
51	96662025	BALL	x	6.00
52	94447600	PACKING	x	11.00
53	94461100	VALVE HOLDER SET	x	258.00
54	04411050	SUCTION TUBE	x	258.00
55	94420600	PIN	x	8.00
56	94447610	PACKING	x	11.00
57	96662050	BALL	x	11.00
58	94407060	VALVE ADAPTOR SET	x	152.00
59	UM43060900	FLUID OUTPUT JOINT	x	29.00
60	ME100001	GROUND WIRE	x	6.00
61	UL30036000	SAFETY VALVE	x	46.00
62	UL30030000	"T" JOINT	x	7.00
63	UL300309	"L" QUICK COUPLING	x	17.00
64	04413050	SPRING	x	15.00



MSU 32N Spare Parts - P. 88

KITS & OPTIONAL ACCESSORIES		
Code	Description	\$
7956	AIR MOTOR REPAIR KIT (includes: 4, 6, 16, 17, 20, 31, 34)	65.00
7967	PUMP REPAIR KIT - MAJOR MAINTENANCE (includes: 44, 45, 46, 48, 49, 50, 52, 55, 56, 57)	326.00
7968	PUMP REPAIR KIT - MINOR MAINTENANCE (includes: 45, 49, 51, 52, 55, 56, 57)	135.00
04407070	PP7131N PLUNGER PUMP ONLY	1,399.00
04931360	MSU PUMP BASE SET W/ AIR REGULATOR SET	259.00
04320150	MSU CART FRAME SET	180.00



FEATURES

- For solvent and water-based paints
- All Versions Mounted on Cart with:
 - 2 Air regulators
 - Paint filter unit
 - Dip tube with filter
 - Fluid recirculation hose
 - Overpressure valve
 - Antipulsation hose (optional)

TECHNICAL

	n:n	bar/psi	bar/psi	l/min	mesh
MSU-323 C	17:1	115/1,667	6.8/98	3.4 (90 cyc)	50
MSU-323 CTX	17:1			3.4 (90 cyc)	50
MSU-423 TX	23:1	156/2,262	6.8/98	8.0 (100 cyc)	30
MSU-433 TX	30:1	204/2,958		5.0 (90 cyc)	30

Air Nipple: G1/4" • Fluid Nipple: G1/4"

MSU-323 C

Pump - PP1171C

MSU-323 CTX

Pump - PP1171CNE

MSU-423 TX | MSU-433 TX

Pump - PP4231NE

Pump - PP4231CNE



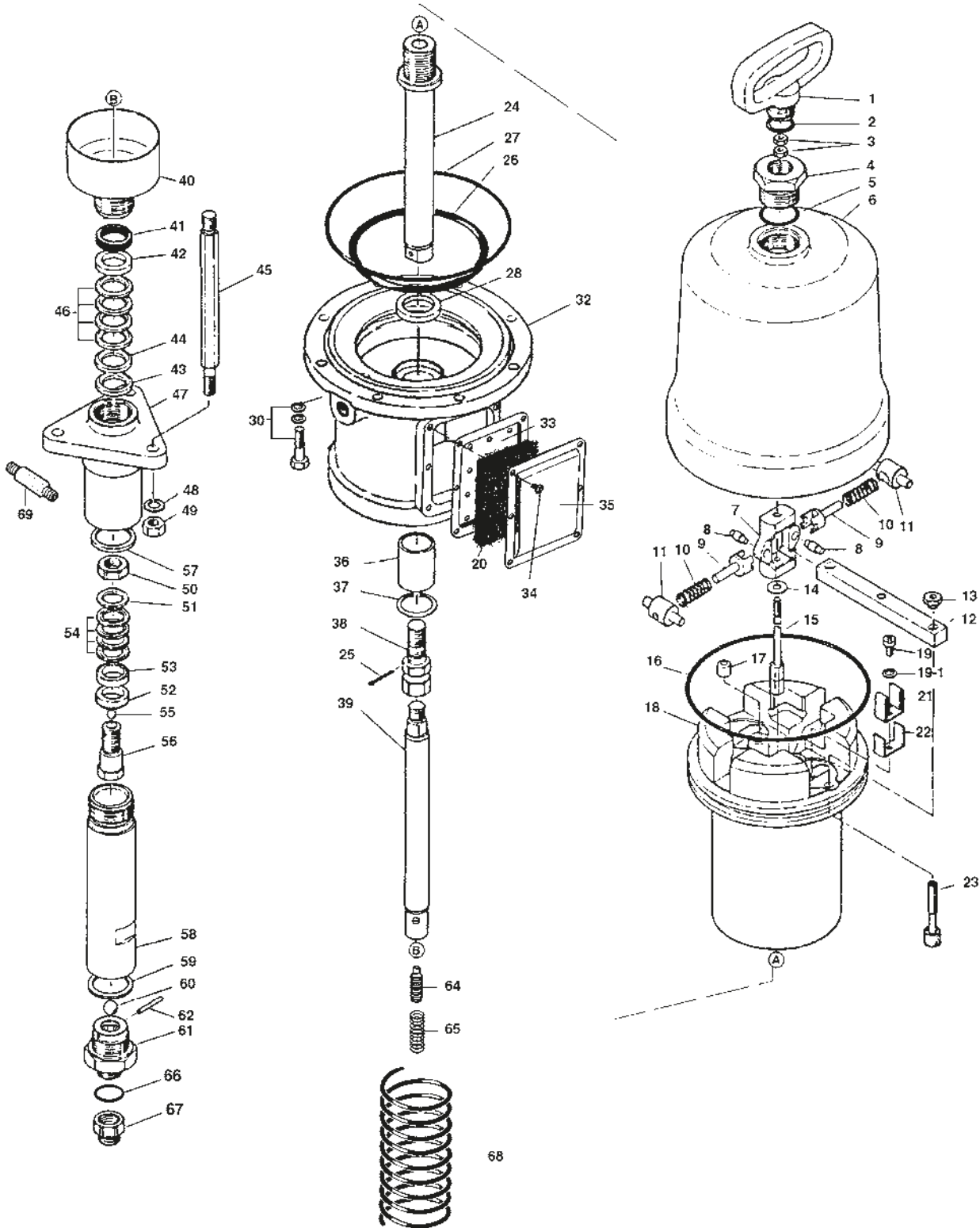
ORDER Information - MULTI SPRAY UNITS

Code	Description	\$
7180	MSU-323 C MULTI SPRAY UNIT	3,269.00
7183	MSU-323 CTX MULTI SPRAY UNIT WITH STAINLESS STEEL PAINT PASSAGES	4,658.00
7182	MSU-423 TX MULTI SPRAY UNIT WITH STAINLESS STEEL PAINT PASSAGES	5,252.00
7181	MSU-433 TX MULTI SPRAY UNIT WITH STAINLESS STEEL PAINT PASSAGES	5,300.00

ACCESSORIES

Code	Description	for Version	\$
145600000	TF 8 COMPLETE FILTER SET	for MSU-323 C	235.00
145700000	TF 8N COMPLETE FILTER SET	for MSU-323 CTX, MSU-423 TX and MSU-433 TX	647.00
0200309501	AIR REGULATOR SET	for MSU-323 C and MSU-323 CTX	343.00
0200309601	AIR REGULATOR SET	for MSU-423 TX and MSU-433 TX	339.00
0101009000	DIP TUBE SET (50 mesh filter)	for MSU-323 C	147.00
0101030000	DIP TUBE SET with STAINLESS STEEL CONNECTION (30 mesh filter)	for MSU-423 TX and MSU-433 TX	475.00
0101010000	DIP TUBE SET with STAINLESS STEEL CONNECTION (50 mesh filter)	for MSU-323 CTX	286.00





MULTI SPRAY UNITS



MSU-323 C | MSU-323 CTX | MSU-423 TX | MSU-433 TX

Ref.	Code	Description		MSU-323 C/N	MSU-323 CTX	MSU-423 TX	MSU-433 TX	\$
1	04470100	HANDLE		X	X	X	X	35.00
2	94447100	PACKING		X	X	X	X	6.00
3	UL300702	HEXAGON NUT		X	X	X	X	2.00
4	04435100	HEAD BOLT						24.00
4	04435150	HEAD BOLT		X	X	X	X	21.00
5	06630030	O RING		X	X	X	X	2.00
6	0440110000	AIR CYLINDER						177.00
6	0440115000	AIR CYLINDER		X	X	X	X	221.00
7	04409100	CHANGEVER MAIN BODY						163.00
7	04409150	CHANGEVER MAIN BODY		X	X	X	X	67.00
8	04420100	PIN						11.00
8	04420150	PIN		X	X	X	X	12.00
9	04411100	CHANGEVER PIN						39.00
9	04411150	CHANGEVER PIN		X	X	X	X	39.00
10	04412100	SPRING						5.00
10	04412150	SPRING		X	X	X	X	5.00
11	04419100	SPRING HOLDER						23.00
11	04419150	SPRING HOLDER		X	X	X	X	27.00
12	04407100	CHANGEVER BAR						62.00
12	04407150	CHANGEVER BAR		X	X	X	X	46.00
13	04415100	NUT						5.00
13	04415150	NUT		X	X	X	X	5.00
14	04444110	WASHER		X	X	X	X	3.00
15	04410100	CHANGEVER ROD						35.00
15	04410150	CHANGEVER ROD		X	X	X	X	15.00
16	06638043	PISTON O-RING						2.00
16	06630145	PISTON O-RING		X	X	X	X	2.00
17	94935680	EXHAUST PACKING SET	2 pcs./1pk.	X	X	X	X	10.00
18	0440310000	AIR PISTON						283.00
18	0440315000	AIR PISTON		X	X	X	X	443.00
19	UL300606	SCREW		X	X	X	X	2.00
19-1	UL300820	SPRING WASHER		X	X	X	X	4.00
20	UM331028	MUFFLER FILTER		X	X	X	X	2.00
21	04408100	CHANGEVER BAR SUPPORT						15.00
21	04408150	CHANGEVER BAR SUPPORT		X	X	X	X	15.00
22	04413100	REINFORCE PLATE						9.00
22	04413150	REINFORCE PLATE		X	X	X	X	9.00
23	04934690	VALVE SHAFT KIT	2 pcs./1pk.					73.00
23	04936570	VALVE SHAFT KIT	2 pcs./1pk.	X	X	X	X	83.00
24	04479100	PISTON ROD						106.00
24	04479150	PISTON ROD		X	X	X	X	131.00
25	UM330155	SPLIT PIN		X	X	X	X	2.00
26	96638039	O RING						12.00
26	96630112	O RING		X	X	X	X	3.00
27	96634120	O RING						9.00
27	96637537	O RING		X	X	X	X	11.00
28	04459100	STOPPER		X	X	X	X	4.00
30	06137130	BOLT + WASHER						2.00
30	06137830	BOLT + WASHER		X	X	X	X	2.00
32	UM33102102	MAIN BODY						212.00
32	UM43102102	MAIN BODY		X	X	X	X	230.00
33	UM331027	MUFFLER PLATE		X	X	X	X	15.00
34	UL300620	SCREW		X	X	X	X	2.00
35	UM331026	EXHAUST COVER		X	X	X	X	14.00
36	04431100	BUSHING						68.00
36	04431150	BUSHING		X	X	X	X	68.00
37	UL300804	STOPPER						4.00
37	UM431060	STOPPER		X	X	X	X	2.00
38	04485100	CONNECTING ADAPTOR						13.00
38	04485150	CONNECTING ADAPTOR		X	X	X	X	13.00
39	0231001000	ROD		X				404.00
39	04430150	ROD			X			286.00
39	04002790	ROD				X		407.00
40	0231002001	THINNER CUP SET		X				117.00
40	0448215002	THINNER CUP SET			X			107.00
40	0171003001	THINNER CUP SET				X		114.00
41	04471100	SLEEVE						33.00
41	04010700	SLEEVE		X				4.00
41	04471150	SLEEVE			X			30.00
41	0171009000	SLEEVE				X		6.00
42	94441100	V PACKING FEMALE UPPER ADAPTOR						19.00
42	0231003000	V PACKING FEMALE UPPER ADAPTOR		X				29.00
42	94441150	V PACKING FEMALE UPPER ADAPTOR			X			20.00
42	04004790	V PACKING FEMALE UPPER ADAPTOR				X		29.00
43	0231025000	SPACER		X				13.00
43	04401160	SPACER			X	X		13.00
43	04001160	SPACER					X	13.00
44	04443100	V PACKING MALE UPPER ADAPTOR						25.00
44	0231005000	V PACKING MALE UPPER ADAPTOR		X				24.00
44	04443150	V PACKING MALE UPPER ADAPTOR			X			23.00
44	04000800	V PACKING MALE UPPER ADAPTOR				X		27.00
44	0444320000	V PACKING MALE UPPER ADAPTOR					X	21.00



MSU-323 C | MSU-323 CTX | MSU-423 TX | MSU-433 TX

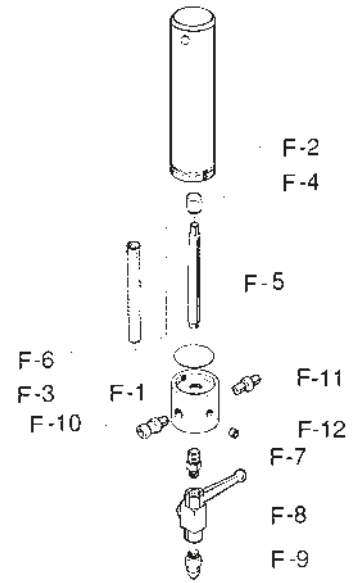
Ref.	Code	Description		MSU-323 C/N	MSU-323 CTX	MSU-423 TX	MSU-433 TX	\$
45	0443011000	CONNECTING ROD						24.00
45	0231022001	CONNECTING ROD		X		X		27.00
45	0443016000	CONNECTING ROD			X		X	24.00
46	0493210000	UPPER V PACKING SET	4 pcs./1pk.					23.00
46	0494231100	UPPER V PACKING SET	4 pcs./1pk.	X				32.00
46	0494015000	UPPER V PACKING SET	4 pcs./1pk.		X	X		41.00
46	0494020000	UPPER V PACKING SET	4 pcs./1pk.				X	37.00
47	0448310100	SUCTION MAIN BODY						98.00
47	0231008001	SUCTION MAIN BODY		X		X		150.00
47	0448315100	SUCTION MAIN BODY			X			106.00
47	0448320200	SUCTION MAIN BODY					X	142.00
48	UL300802	SPRING WASHER		X	X	X	X	2.00
49	UL300703	HEXAGON NUT		X	X	X	X	2.00
50	94445110	NUT						41.00
50	0231020000	NUT		X				14.00
50	94414150	NUT			X			55.00
50	04000790	NUT				X		62.00
50	0444520000	NUT					X	21.00
51	04443110	V PACKING MALE LOWER ADAPTOR						10.00
51	0231019000	V PACKING MALE LOWER ADAPTOR		X				22.00
51	94443161	V PACKING MALE LOWER ADAPTOR			X			21.00
51	04001800	V PACKING MALE LOWER ADAPTOR				X		24.00
51	0444321100	V PACKING MALE LOWER ADAPTOR					X	21.00
52	04402110	LOWER DISTANCE RING						13.00
52	0231010000	LOWER DISTANCE RING		X				10.00
52	04400160	LOWER DISTANCE RING			X			13.00
52	0400016000	LOWER DISTANCE RING				X		14.00
53	04441110	V PACKING FEMALE LOWER ADAPTOR						20.00
53	0231017000	V PACKING FEMALE LOWER ADAPTOR		X				19.00
53	04441160	V PACKING FEMALE LOWER ADAPTOR			X			18.00
53	04005790	V PACKING FEMALE LOWER ADAPTOR				X		24.00
53	0444121100	V PACKING FEMALE LOWER ADAPTOR					X	22.00
54	0493010000	LOWER V PACKING SET	4 pcs./1pk.					19.00
54	0494231200	LOWER V PACKING SET	4 pcs./1pk.	X				32.00
54	0494215000	LOWER V PACKING SET	4 pcs./1pk.		X	X		30.00
54	0494220000	LOWER V PACKING SET	4 pcs./1pk.				X	37.00
55	96662025	BALL			X		X	6.00
55	06662040	BALL		X				10.00
55	06662026	BALL				X		6.00
56	04461100	VALVE HOLDER SET						258.00
56	0231029001	VALVE HOLDER SET		X				219.00
56	04460160	VALVE HOLDER SET			X			272.00
56	0446017100	VALVE HOLDER SET				X		219.00
56	0446120000	VALVE HOLDER SET					X	90.00
57	94447600	UPPER PACKING						11.00
57	0231007000	UPPER PACKING		X				9.00
57	94447150	UPPER PACKING			X			11.00
57	0231015000	UPPER PACKING				X		13.00
57	0444720000	UPPER PACKING					X	4.00
58	0443410001	SUCTION TUBE						342.00
58	0231024000	SUCTION TUBE		X				418.00
58	0443415001	SUCTION TUBE			X			296.00
58	0171001000	SUCTION TUBE				X		536.00
58	0443420000	SUCTION TUBE					X	381.00
59	94447610	LOWER PACKING					X	11.00
59	0231030000	LOWER PACKING		X		X		13.00
59	94447160	LOWER PACKING			X			11.00
60	96662050	BALL			X			11.00
60	06662051	BALL		X		X		14.00
60	06662040	BALL					X	4.00
61	04407060	VALVE ADAPTOR SET						109.00
61	0231028000	VALVE ADAPTOR SET		X		X		348.00
61	04460150	VALVE ADAPTOR SET			X			109.00
61	0446020000	VALVE ADAPTOR SET					X	111.00
62	04420600	PIN					X	2.00
62	0231023000	PIN		X		X		8.00
62	04420160	PIN			X			4.00
63	04420170	PIN			X	X		4.00
63	0657502000	PIN					X	2.00
64	0231009000	SCREW		X				2.00
65	0231014000	SPRING		X				2.00
66	0231031000	PACKING		X		X		4.00
67	UL30046400	NIPPLE		X		X		45.00
68	04413050	SPRING		X	X	X	X	15.00
69	UM43061000	FLUID OUTPUT JOINT		X				29.00
69	UM43060900	FLUID OUTPUT JOINT				X		29.00
72	UM43061101	FLUID OUTPUT JOINT			X		X	23.00



PAINT FILTER UNITS

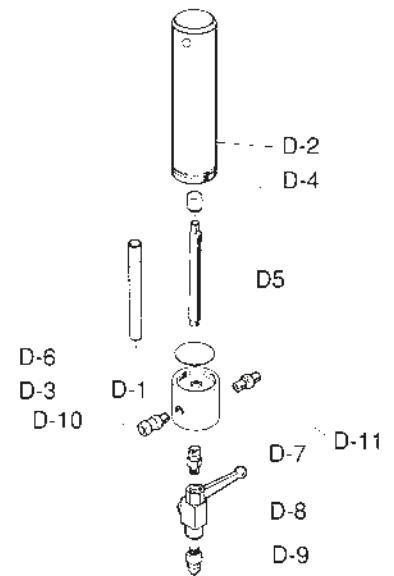
TF8 for ALS-333 C | ALS-433 C | MSU-323 C

Ref.	Code	Description		\$
	145600000	TF8 COMPLETE PAINT FILTER SET		235.00
F-1	04560670	BODY		58.00
F-2	04561670	CYLINDER		90.00
F-3	0457000300	SCREW		41.00
F-4	0457000400	NUT		10.00
F-5	96639045	O RING		29.00
F-6	VFM2503	FILTER 100 Mesh		5.00
F-7	UL300020	NIPPLE	R 3/8" M - R 1/4" M	1,90
F-8	UL300900	DRAIN VALVE	G 1/4" FF	86.00
F-9	UL300302	HOSE JOINT	R 1/4" M - M8X6	5.00
F-10	UL300018	SWIVEL JOINT	R 1/4" M - G 1/4" F	13.00
F-11	UL300012	NIPPLE	G 1/4" M - R 1/4" M	10.00
F-12	96990412	PLUG	R 1/4"	6.00



TF8 N for ALS-423 | ALS-433
MSU-323 C | MSU-423 TX | MSU-433 TX | MSU-113N

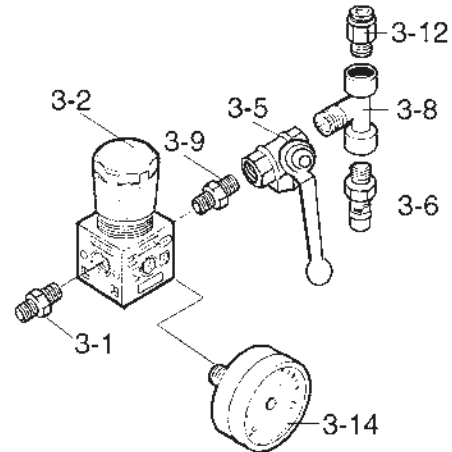
Ref.	Code	Description		\$
	145700000	TF8 N COMPLETE FILTER SET		647.00
D-1	0457000200	BODY		156.00
D-2	0457000100	CYLINDER		157.00
D-3	0457000300	SCREW		41.00
D-4	0457000400	NUT		10.00
D-5	96639045	O RING		29.00
D-6	VFM2503	FILTER 100 Mesh		5.00
D-7	UL300453	NIPPLE	R 1/4" M - R 3/8" M	34.00
D-8	UL30090100	DRAIN VALVE	G 1/4" FF	159.00
D-9	UL300302	HOSE JOINT	R 1/4" M - M8X6	5.00
D-10	UL300402	UNION JOINT	MF 3/8"	68.00
D-11	UL30046300	FLUID OUTPUT JOINT	M 3/8" - G 1/4" M	31.00



AIR REGULATORS

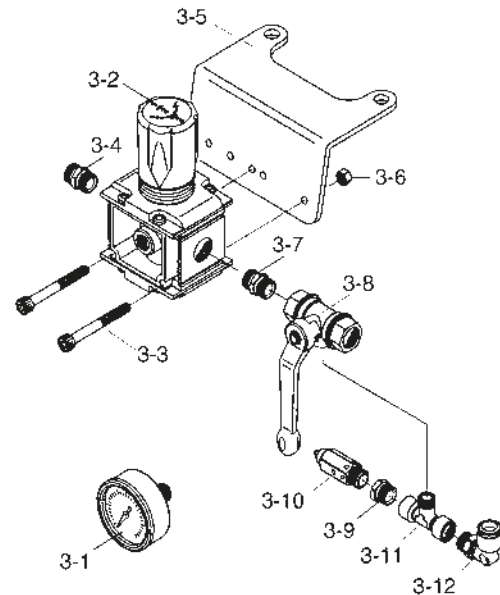
AIR REGULATOR for ALS-333 C

Ref.	Code	Description		\$
	0200309101	AIR REGULATOR SET		193.00
3-1	UL30010501	SPECIAL NIPPLE	G1/4" M-R 1/4"MM	11.00
3-2	UI00070000	AIR REGULATOR	G1/4"	140.00
3-5	UL30034901	BALL VALVE WITH EXHAUST HOLE	G 1/4" FF	65.00
3-6	UL30036000	SAFETY VALVE	G 1/4"	46.00
3-8	UL30030000	"T" JOINT	1/4" F/M/F	7.00
3-9	UL300101	NIPPLE	1/4" MM	5.00
3-12	UL300312	QUICK JOINT	1/4" M	7.00
3-14	02004003	PRESSURE GAUGE	(Optional)	52.00



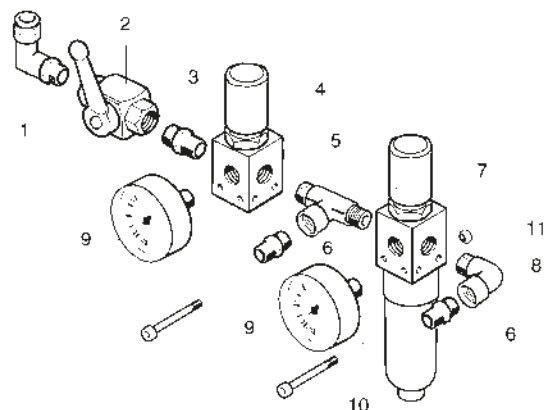
AIR REGULATOR ALS-433 C | ALS-433 | ALS-423 TX

Ref	Code	Description		\$
	0200309401	AIR REGULATOR SET		220.00
3-1	02004003	PRESSURE GAUGE	(Optional)	52.00
3-2	UI00080000	AIR REGULATOR 3/8"		96.00
3-3	UL30061900	SCREW		2.00
3-4	0475050110	JOINT G1/4"- R 3/8"		4.00
3-5	UL00005200	PLATE		21.00
3-6	UL30070600	NUT		2.00
3-7	UL30010200	NIPPLE R3/8"		3.00
3-8	UL30034801	3 WAY VALVE 3/8"		55.00
3-9	UL300163	REDUCTION R3/8" G1/4" MF		2.00
3-10	UL30036000	SAFETY VALVE G 1/4"		46.00
3-11	UL30029800	"T" JOINT 3/8" F/M/F		7.00
3-12	UL30031300	QUICK JOINT 3/8" 10x12		10.00



AIR REGULATOR for MSU 113N

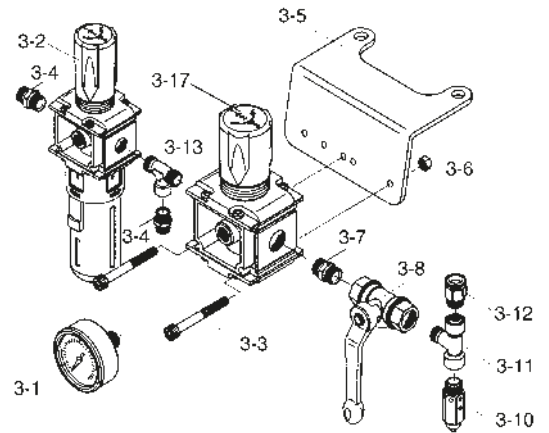
Ref	Code	Description		\$
	04307151	AIR REGULATOR SET		287.00
1	UL300309	"L" QUICK COUPLING	1/4"MM	17.00
2	UL30034901	BALL VALVE WITH EXHAUST HOLE	G 1/4" FF	65.00
3	UL300101	NIPPLE	1/4" MM	5.00
4	UI00070000	AIR REGULATOR	G 1/4"	140.00
5	UL300303	UNION "T" JOINT	G1/4"F-R1/4"MM	10.00
6	UL30010501	SPECIAL NIPPLE	G1/4" M-R 1/4"MM	11.00
7	UI00070100	AIR REGULATOR + FILTER	G 1/4"	198.00
8	UL300201	"L" JOINT 1/4" MF		5.24
9	02004003	PRESSURE GAUGE	(Optional)	32.00
10	UL300615	HEXAGON SOCKET BOLT	(Optional)	3.00
11	UL300700	HEXAGON NUT		4.00



AIR REGULATORS

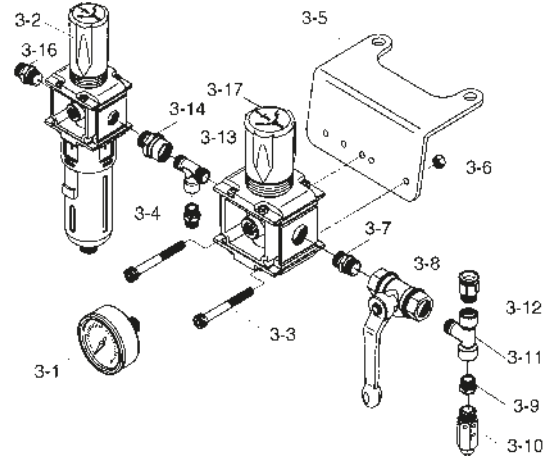
AIR REGULATOR for MSU-323 C | MSU-323 CTX

Ref.	Code	Description		\$
	0200309501	AIR REGULATOR SET		343.00
3-1	02004003	PRESSURE GAUGE	(Optional)	52.00
3-2	UI00070100	AIR REGULATOR + FILTER	G 1/4"	198.00
3-3	UL300615	SCREW	(Optional)	3.00
3-4	UL30010501	SPECIAL NIPPLE	G1/4" M-R 1/4"M	11.00
3-5	UL00005200	PLATE	(Optional)	21.00
3-6	UL300700	HEXAGON NUT	(Optional)	4.00
3-7	UL300101	NIPPLE	1/4" MM	5.00
3-8	UL30034901	BALL VALVE WITH EXHAUST HOLE	G 1/4" FF	65.00
3-10	UL30036000	SAFETY VALVE	G 1/4"	46.00
3-11	UL30030000	"T" JOINT	1/4" F/M/F	7.00
3-12	UL300312	QUICK JOINT	1/4" M	7.00
3-13	UL300303	UNION "T" JOINT	G1/4"F-R1/4"MM	10.00
3-17	UI00070000	AIR REGULATOR	G 1/4"	140.00



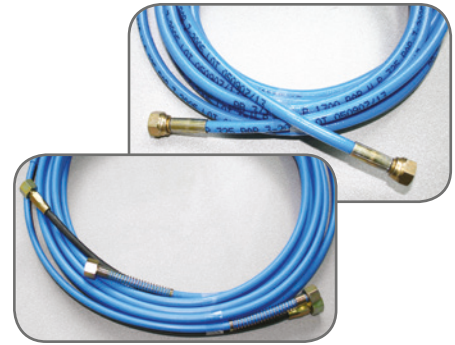
AIR REGULATOR for MSU-423 TX | MSU-433 TX

Ref	Code	Description		\$
	0200309601	AIR REGULATOR SET		339.00
3-1	02004003	PRESSURE GAUGE	(Optional)	52.00
3-2	UI00070100	AIR REGULATOR + FILTER	G 1/4"	198.00
3-3	UL30061900	SCREW	(Optional)	2.00
3-4	0475050110	JOINT	G 1/4" - R 3/8"	4.00
3-5	UL00005200	PLATE	(Optional)	21.00
3-6	UL30070600	HEXAGON NUT	(Optional)	2.00
3-7	UL30010200	NIPPLE	R 3/8"	3.00
3-8	UL30034801	THREE WAY VALVE	3/8"	55.00
3-9	UL300163	REDUCTION	R 3/8" G 1/4"MF	2.00
3-10	UL30036000	SAFETY VALVE	G 1/4"	46.00
3-11	UL30029800	"T" JOINT	3/8" F/M/F	7.00
3-12	UL30032400	QUICK JOINT	3/8" Ø12	5.00
3-13	UL30029900	"T" JOINT	G3/8" M/F/M	15.00
3-14	UL300165	REDUCTION	R1/4"M - G3/8"F	3.00
3-16	UL30010501	SPECIAL NIPPLE	G1/4" M-R 1/4" M	11.00
3-17	UI00080000	AIR REGULATOR	3/8"	96.00



MEDIUM & HIGH PRESSURE HOSES

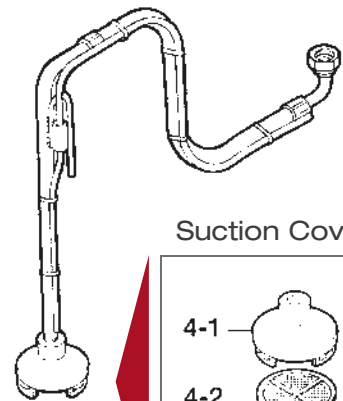
Code	Description		Length	Type	Nipples	\$
HIGH PRESSURE HOSES (Fluid) for AIRLESS UNITS						
8250	NPM325 25' HOSE	3/16"	25'	FLUID	1/4"-1/4"	78.00
8251	NPM350 50' HOSE	3/16"	50'	FLUID	1/4"-1/4"	139.00



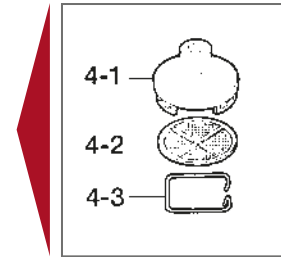
DIP TUBE with FILTER

Ref	Code	Description	\$
DIP TUBE for ALS-333 C ALS-433 C ALS-453 C MSU-323 C			
	0101009000	DIP TUBE SET with 50 MESH FILTER M15	147.00
4	UL10000701	COMPLETE COVER SET (50 MESH)	58.00
4-2	0040720100	FILTER 50 MESH	17.50
4-2	VFM3012	FILTER 100 MESH	7.00
4-3	00407203	FILTER STOPPER	14.40
DIP TUBE for ALS-423 TX ALS-433 TX MSU-423 TX MSU-433 TX			
	0101030000	DIP TUBE SET WITH STAINLESS STEEL CONNECTION - FILTER 30 MESH	475.00
4	UL10001801	COMPLETE COVER SET (30 MESH)	41.00
4-2	0040720400	FILTER 30 MESH	5.00
4-3	00407203	FILTER STOPPER	4.00
	0101010000	DIP TUBE SET with STAINLESS STEEL CONNECTION - 50 MESH FILTER M15	286.00
4	UL10000701	COMPLETE COVER SET (50 MESH)	58.00
4-2	0040720100	FILTER 50 MESH	17.50
4-2	VFM3012	FILTER 100 MESH	7.00
4-3	00407203	FILTER STOPPER	14.40
	0101040000	DIP TUBE SET WITH STAINLESS STEEL CONNECTION - FILTER 50 MESH	79.00
4	UL10000701	COMPLETE COVER SET (50 MESH)	58.00

DIP TUBE Set

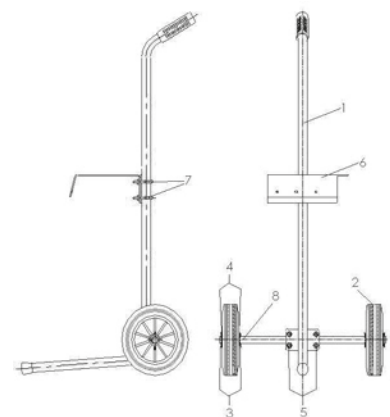


Suction Cover



WHEEL CART for MSU-113N

Ref.	Code	Description	\$
	04320150	WHEEL CART SET	180.00
1	04930360	FRAME SET	94.00
2	UL200001	WHEEL	14.00
3	UL300811	SPLIT PIN	2.00
4	Z00019	WASHER	2.00
5	06991930	U BOLT	5.00
6	04306150	PUMP BASE	88.00
7	04319150	U BOLT	5.00
8	04330150	SHAFT	20.00



DRAIN OPERATING VALVE SET for MSU-113N

Ref.	Code	Description	\$
	04326160	DRAIN OPERATING VALVE SET	407.00
1	06858141	ELBOW MM	72.00
2	06641103	"T" JOINT FFF	52.00
3	UL300453	NIPPLE R 1/4" M- R 3/8" M	34.00
4	UL30090100	DRAIN VALVE G 1/4" FF	159.00
5	06891239	HOSE JOINT	53.00
6	UL300402	UNION JOINT MF 3/8"	68.00

